



BRU

ENERGY EFFICIENT
POUR AND SERVE
COFFEE MACHINE



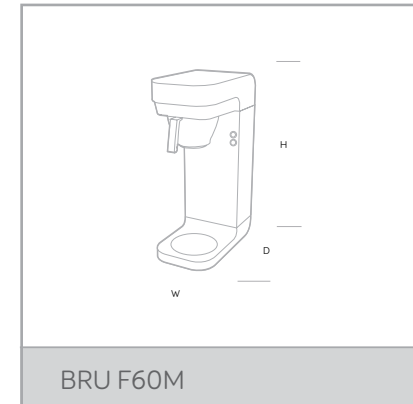
BRU F45M

BRU F60M

FEATURES/

- Professional grade brewer.
- Manual and automatic fill options.
- Improved sprayhead performance.
- Ease of service and refurb.
- Simple set up.
- Robust construction.
- Jug and flask variants.
- Best in class temperature management.

DIMENSIONS/



IDEAL FOR HIGH QUALITY
COFFEE FOR ALL CATERING
LOCATIONS, COFFEE SHOP,
CANTEEN, CONFERENCE,
OFFICES AND BUSINESS
LOCATIONS

*2 glass jugs provided
**Airpot sold separately

SPECS/OPTIONS

| DESCRIPTION | ORDER CODE | BREW CAPACITY (L) | POWER @ 230V | WEIGHT (KG) |
|---------------------------------|------------|-------------------|--------------|-------------|
| F45M JUG MANUAL FILL* | 1000900 | 1.8 | 2.4kW | 9 |
| F45A JUG AUTO FILL* | 1000901 | 1.8 | 2.4kW | 9 |
| F60M FLASK MANUAL FILL** | 1000902 | 2.2 | 2.2kW | 8 |
| F60A FLASK AUTO FILL** | 1000903 | 2.2 | 2.2kW | 8 |
| AIRPOT 2.2L | 1700179 | N/A | N/A | 2 |

| DESCRIPTION | DIMENSIONS (DXWXHmm) | PACKAGING DIMENSIONS (DXWXHmm) | QTY PER PALLET | PLUMBING REQUIREMENTS |
|---------------------------------|----------------------|--------------------------------|----------------|-----------------------|
| F45M JUG MANUAL FILL* | 360x211x444 | 600x250x507 | 24 | N/A |
| F45A JUG AUTO FILL* | 360x211x444 | 600x250x507 | 24 | 3/4" BSP |
| F60M FLASK MANUAL FILL** | 360x211x598 | 420x250x657 | 20 | N/A |
| F60A FLASK AUTO FILL** | 360x211x598 | 420x250x657 | 20 | 3/4" BSP |
| AIRPOT 2.2L | N/A | 370x190x190 | 90 | N/A |

FOR CUSTOMER CARE/SPARES & SERVICE VISIT

WWW.MARCOBEVERAGESYSTEMS.COM