

# HOT WATER DISPENSER

## HWB 2100 Series

### HWB-2105 Touchscreen

5 Gallon



The **HWB-2100** series combines the simplicity of a traditional style pull faucet with the modern convenience of a touchscreen interface. The touchscreen allows for easy access to temperature controls, dispense metrics and diagnostics while the simple screen layout makes it easy for staff to understand and operate.



**Touchscreen interface** for easy access to temperature controls, metrics and diagnostic screens.



**Exclusive FETCO HWB Pull Faucet Design** with soft silicone tap helps protect glass and ceramic serveware against damage.



**The interior top and sides** of the unit are fully insulated to maximize heat retention and improve efficiency.



**Mixed material construction** is durable for the rigors of back-of-house yet attractive enough for front-of-house.

## Water Specification

Water Inlet 3/8 inch male flare fitting	Minimum Flow Rate 1½ gpm [5.7 lpm]	Water Pressure 20-75 psig [138-517 kPa]
--	---------------------------------------	--

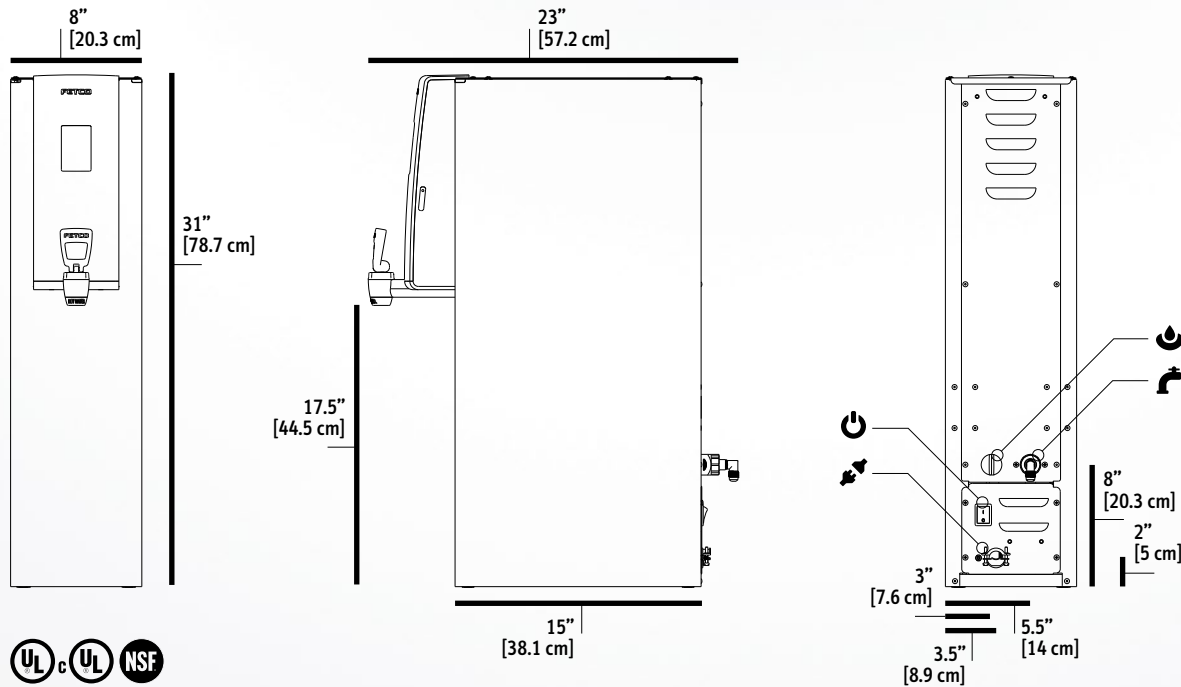
## Electrical Configuration

Configuration Code	Heater Configuration	Voltage	Phase	Wires	KW	Electrical Connection	Max Amp Draw	Gallon[Liter]/Hour
<b>US &amp; CANADA</b>								
B210551	1 x 3.0 kW	208-240	1	2+G	3.1	Terminal Block	12.9	6.0-7.0 [22.7-26.5] <sup>(1)</sup>
B210552	1 x 4.0 kW	208-240	1	2+G	4.1	Terminal Block	17.1	6.0-7.0 [22.7-26.5] <sup>(1)</sup>
<b>INTERNATIONAL</b>								
B210561	1 x 3.0 kW	230	1	L / N / PE	2.9	Terminal Block	12.4	7.0-8.0 [26.5-30.3] <sup>(1)</sup>
B210562	1 x 4.0 kW	230	1	L / N / PE	3.9	Terminal Block	16.2	7.0-8.0 [26.5-30.3] <sup>(1)</sup>

(1) Based on standard factory settings: 200°F water.

## Measurements

Height 31½" [80.0 cm]	Width 8" [20.3 cm]	Depth 22¼" [56.5 cm]	Empty Weight 29 lbs [13.2 kg]	Filled Weight 55 lbs [25.0 kg]	Shipping Weight 44 lbs [20.0 kg]	Shipping Dimensions: 35" x 11" x 25" [89 x 28 x 64 cm]
--------------------------	-----------------------	-------------------------	----------------------------------	-----------------------------------	-------------------------------------	---



## Cups per Hour\*

8oz.	112	12oz.	75	16oz.	56	20oz.	45
------	-----	-------	----	-------	----	-------	----

\* Approximate based on maximum power setting.

## Information

fetco.com

800.338.2699 USA  
847.719.3000

847.719.3001

Food Equipment Technologies Co.  
600 Rose Road  
Lake Zurich, IL 60047  
USA