



MIX

NEXT GENERATION
UNDERCOUNTER
BOILERS & FONTS

UC3 MULTI-TEMP

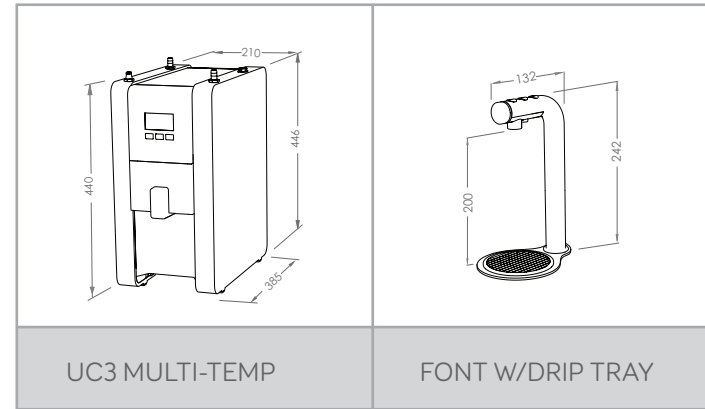
FONT W/DRIP TRAY



FEATURES/

- Next generation energy efficiency.
- Vacuum insulation.
- Multi-temp on selected models.
- Built-in water filter on selected models.
- Accurate programmable portion dispenses.
- Counter-top and under-counter.
- Autofill/plumbed.
- Modern stylish fonts.
- Drip tray kit for counter-top or in-counter installation.

DIMENSIONS/



IDEAL FOR
ARTISAN CAFÉS,
SPECIALITY
COFFEE
ROASTERS,
CAFÉ CHAINS,
BARS AND
RESTAURANTS

SPECS/OPTIONS

DESCRIPTION	ORDER CODE	IMMEDIATE DRAW OFF (L)	OUTPUT PER HOUR (L)	CUPS PER HOUR	POWER @ 230V	WEIGHT (KG)
MIX UC3 Multi-temp	1000880	3	28	156	2.8kW	11
MIX Font One Button*	1000878	-	-	-	-	2.5
MIX Font Three Button*	1000879	-	-	-	-	2.5
MIX Font Drip Tray	2300268	-	-	-	-	1.5

DESCRIPTION	DIMENSIONS (DxWxHmm)	T (mm)	PACKAGING (DxWxHmm)	QTY PER PALLET	PLUMBING REQUIREMENTS
MIX UC3 Multi-temp	385x210x440	-	450x290x540	24	3/4 " BSP
MIX Font One Button*	132x38x242	200	290x570x215	30	-
MIX Font Three Button*	132x38x242	200	290x570x215	30	-
MIX Font Drip Tray	170x125x35	-	-	-	-

*Font and drip tray sold individually

FOR CUSTOMER CARE/SPARES & SERVICE VISIT

WWW.MARCOBEVERAGESYSTEMS.COM