

Pour-over System - Specification Sheet

Water Requirements:

- 1/2" dedicated cold water line (for up to four modules)
- 3/8" Compression angle stop (one per module)
- 35-70 PSI water supply pressure
- 1-gallon per/minute minimum flowrate

Modbar technicians are not licensed or authorized to perform supply line and drain plumbing tasks, these items must be installed and in place prior to installation.

Water Quality:

- < **5-grains** or 85ppm calcium hardness
- If hardness exceeds 5-gpg a softener must be used.

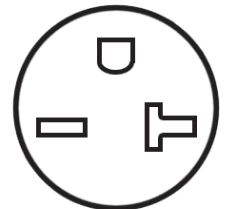
Excessively hard water can be very damaging to coffee equipment and water quality not in accordance with the minimum standards listed in this document will void the manufacturer's warranty. Modbar may require evidence of water quality or a hardness test for any warranty claim.

Power rating and requirements:

	208V / 240V	120V
amps:	11A / 13A	12A
WATTS:	3,000W	1,300W
FREQUENCY:	50/60 HZ.	
PHASE:	SINGLE PHASE	

Receptacle: Nema 6-20R

The pour-over module ships with a 6' power cord and a 6-20P plug end.



NEMA 6-20R

It is the responsibility of the customer to supply the appropriate receptacle (and plug if required). Under no circumstances will Modbar technicians install electrical equipment other than our own. In addition, Modbar does not recommend the hard-wiring of our equipment.

***Electrical and plumbing work must be in compliance with all applicable Federal, State and/or Local Codes.**

Drain Requirements:

- Open gravity drain of minimum 1.5" ID within 4-feet of module(s).
- Drain must be located lower than the placement of the bottom-most module in your Modbar system.

Certifications:



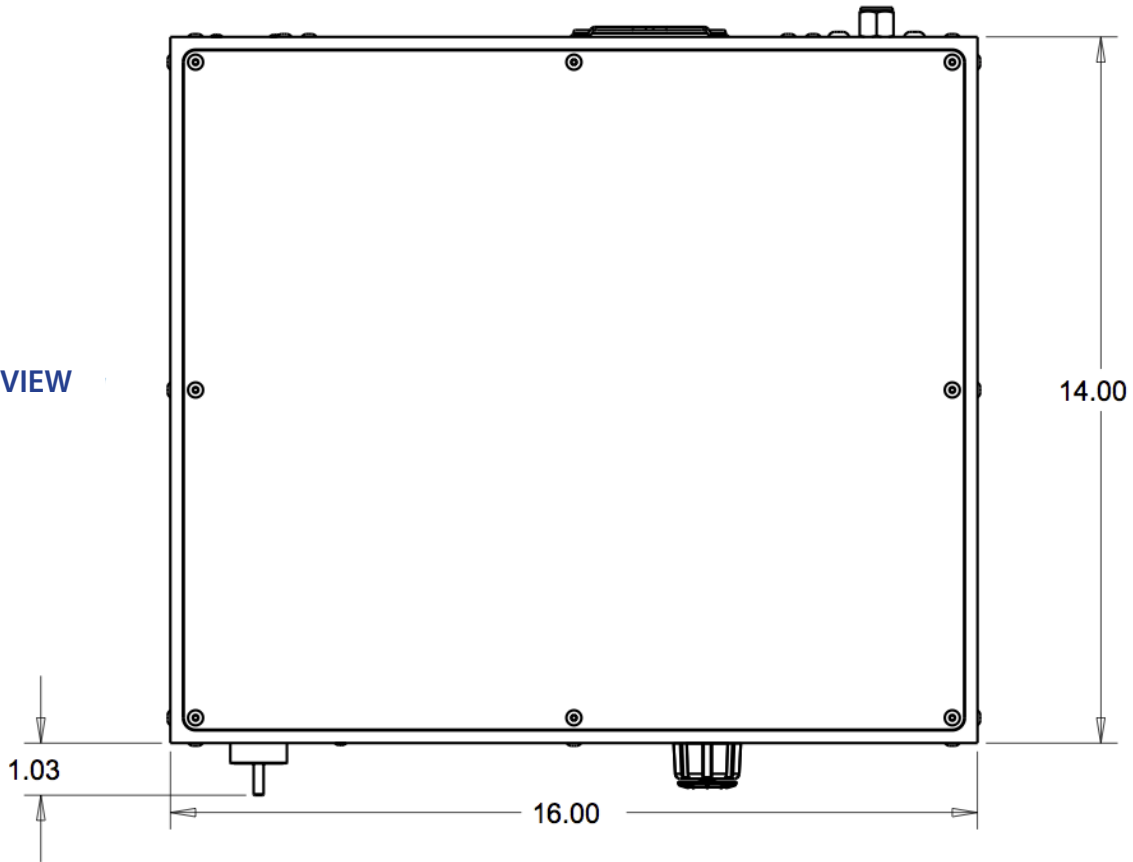
Electrical safety is certified to UL Standard 197, Sanitation is certified to NSF-4.
 * Electrical safety currently pending factory inspection. Sanitation approvals are in process as of Feb 24, 2015.

I, the customer, understand that these requirements must be in place when the installer arrives to the installation location. Failure to have the site ready will result in additional service and travel charges and may cause further delays in installation.

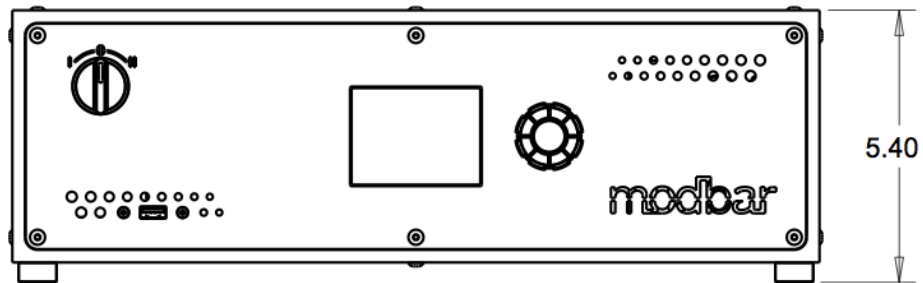
Customer Name: _____ . Signature _____ .
 Company Name: _____ . Phone: _____ .
 Email: _____ .

By signing this document you certify that you are an authorized member or agent of the above named company.

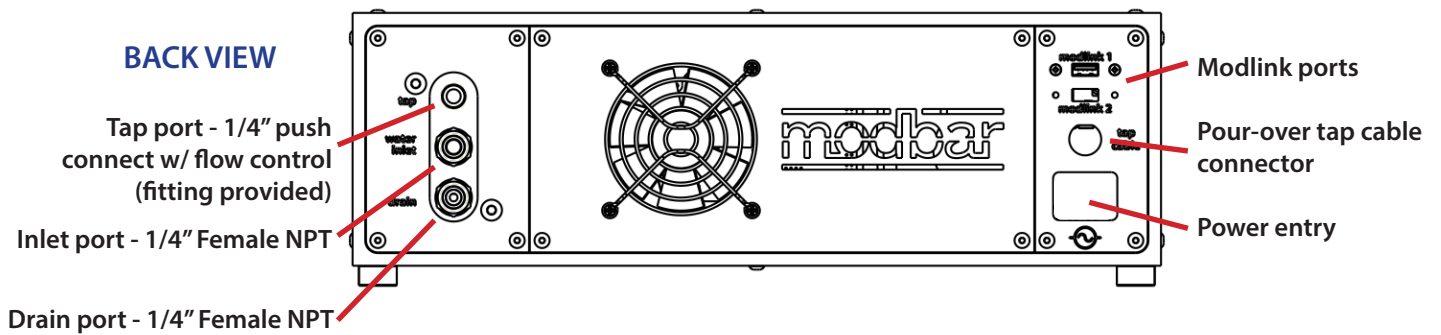
TOP VIEW



FRONT VIEW



BACK VIEW



Misc. Tap Information:

- 5 feet of tubing is supplied to connect each tap to its module.
- 10" minimum spacing between pour-over taps, center-to-center

